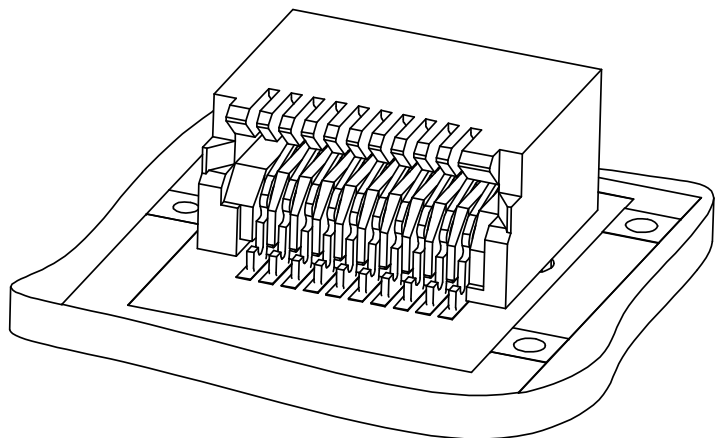


SALES ASSEMBLY DRAWINGS FOR SMALL FORM-FACTOR AND Z AXIS PLUGGABLE CONNECTORS

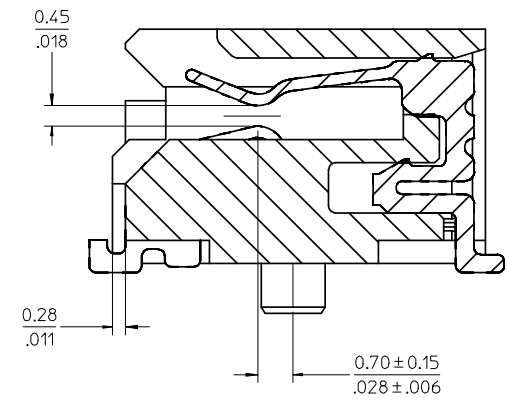
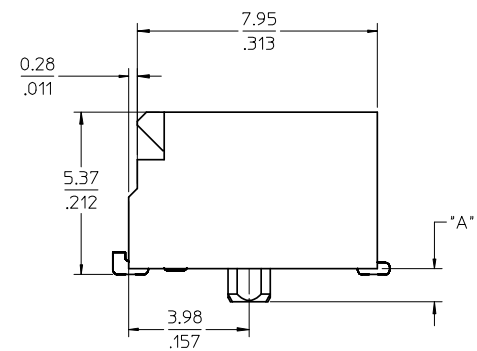
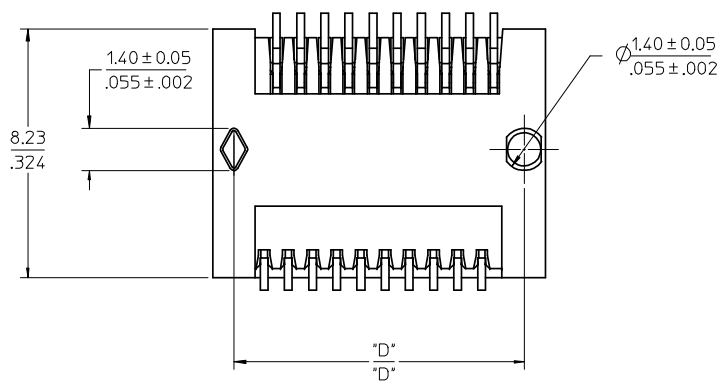
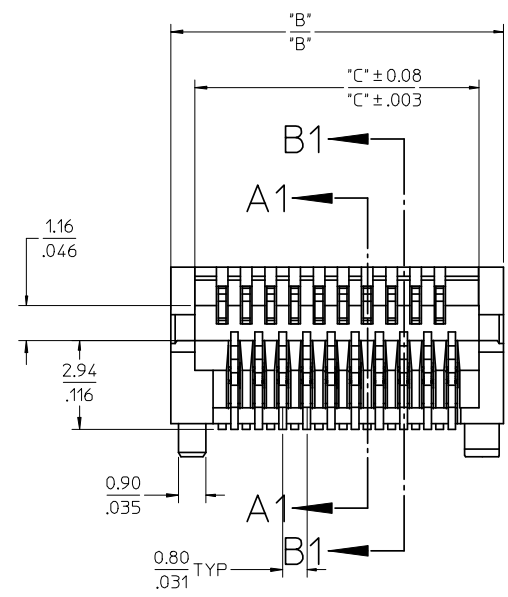
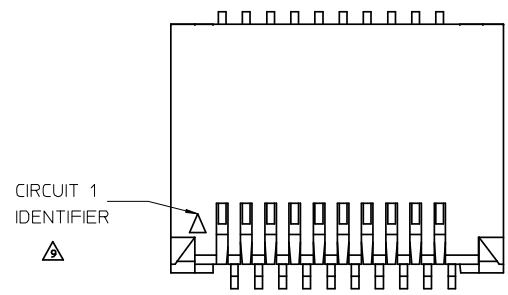
CKT SIZE	PART NUMBER	TOOLED	DESCRIPTION	*A*	*B*	*C*	*D*	MULTI-SOURCE AGREEMENT	CONNECTOR DRAWING	CIRCUIT BOARD DRAWING
20	74441-0001	YES	PLATED PER NOTE 2	1.10/.043	11.00/.433	9.40/.370	9.60/.378	SFP	PAGE 2	PAGE 3
	74441-0004	NO*	PLATED PER NOTE 2	0.76/.030						
	74441-0010	YES	PLATED PER NOTE 3	1.10/.043						
	74441-0014	NO*	PLATED PER NOTE 3	0.76/.030						
	74441-0021	YES	PLATED PER NOTE 4	1.10/.043						
	74441-0031	YES	PLATED PER NOTE 5	1.10/.043						
30	74441-0007	YES	PLATED PER NOTE 2	1.10/.043	15.00/.591	13.40/.528	13.60/.535	XFP	PAGE 2	PAGE 4
	74441-0017	YES	PLATED PER NOTE 3	1.10/.043						
	74441-0027	YES	PLATED PER NOTE 4	1.10/.043						
40	74441-0005	YES	PLATED PER NOTE 2	1.10/.043	19.00/.748	17.40/.685	17.60/.693		PAGE 2	PAGE 5
	74441-0015	YES	PLATED PER NOTE 3	1.10/.043						
	74441-0025	YES	PLATED PER NOTE 4	1.10/.043						
50	74441-0008	YES	PLATED PER NOTE 2	1.10/.043	23.00/.906	21.4/.843	21.6/.850		PAGE 2	PAGE 6
	74441-0018	YES	PLATED PER NOTE 3	1.10/.043						
	74441-0028	YES	PLATED PER NOTE 4	1.10/.043						
	74441-0038	YES	PLATED PER NOTE 5	1.10/.043						
70	74441-0003	YES	PLATED PER NOTE 2	1.10/.043	31.00/1.220	29.40/1.157	29.60/1.165	XENPAK XPAK X2	PAGE 2	PAGE 7
	74441-0013	YES	PLATED PER NOTE 3	1.10/.043						
	74441-0023	YES	PLATED PER NOTE 4	1.10/.043						
	74441-0033	YES	PLATED PER NOTE 5	1.10/.043						

NOTES

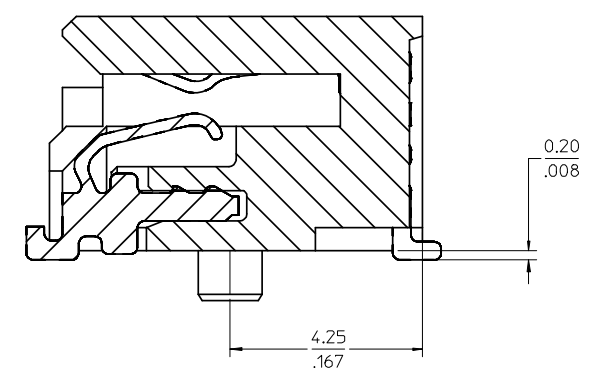
- MATERIAL:
HOUSING - HIGH TEMPERATURE THERMOPLASTIC GLASS FILLED, UL 94V-0, BLACK
TERMINALS - COPPER ALLOY
- PLATING:
CONTACT AREA - 0.38 μm MIN GOLD OVER 2.54 μm MIN NICKEL
SOLDER FOOT AREA - 2.54 - 5.09 μm TIN OVER 2.54 μm MIN NICKEL.
- PLATING:
CONTACT AREA - 0.76 μm MIN GOLD OVER 2.54 μm NICKEL
SOLDER AREA - 2.54 - 5.09 μm TIN OVER 2.54 μm MIN NICKEL
- PLATING:
CONTACT AREA - 0.76 μm MIN GOLD OVER 2.54 μm NICKEL, LUBRICATED
SOLDER AREA: GOLD FLASH OVER 2.54 μm MIN NICKEL.
- PLATING:
CONTACT AREA - 0.76 μm MIN GOLD OVER 2.54 μm NICKEL,
SOLDER AREA: GOLD FLASH OVER 2.54 μm MIN NICKEL.
- TERMINAL SOLDER FEET TO BE COPLANAR WITHIN 0.10/.004 FOR 20, 30 AND 40 CIRCUIT CONNECTORS
TERMINAL SOLDER FEET TO BE COPLANAR WITHIN 0.15/.006 FOR 70 CIRCUIT CONNECTOR
- * CONTACT PLANT FOR MORE INFORMATION
- DATE CODE: 4 DIGIT (3 DIGIT DATE, 1 DIGIT YEAR)
- CIRCUIT 1 IDENTIFIER LOCATED ON ALL PART NUMBERS



UCP2008-1593 EC NO: UCP2008-1593 DRWN:BSMART 2008/01/21 CHKD:BBARKER 2008/05/06 APPR:SMILLER 2008/07/08	QUALITY SYMBOLS ▽ 0 ▽ 0	GENERAL TOLERANCES (UNLESS SPECIFIED)		SCALE 1:1	DESIGN UNITS METRIC	THIRD ANGLE PROJECTION	REVISE ON CAD ONLY	
		m	INCH	DIMENSION STYLE MM/IN		TITLE		
		4 PLACES ± --- ± ---	3 PLACES ± --- ± ---	DRAWN BY HAVERY	DATE 00/04/06	SALES ASSEMBLY Z AXIS PLUGGABLE PCB CONNECTOR		
		2 PLACES ± 0.13 ± .005	1 PLACE ± 0.25 ± .010	CHECKED BY KSWEENEY	DATE 00/04/06			
ANGULAR ± 1/2°		DRAFT WHERE APPLICABLE		APPROVED BY MBANAKIS	DATE 00/04/06	MATERIAL NO. SEE CHART	DOCUMENT NO. SD-74441-001	
MUST REMAIN WITHIN DIMENSIONS		THIS DRAWING CONTAINS INFORMATION THAT IS PROPRIETARY TO MOLEX INCORPORATED AND SHOULD NOT BE USED WITHOUT WRITTEN PERMISSION						

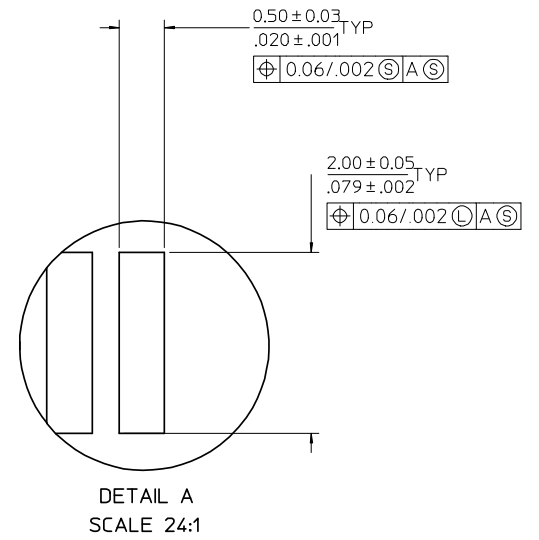
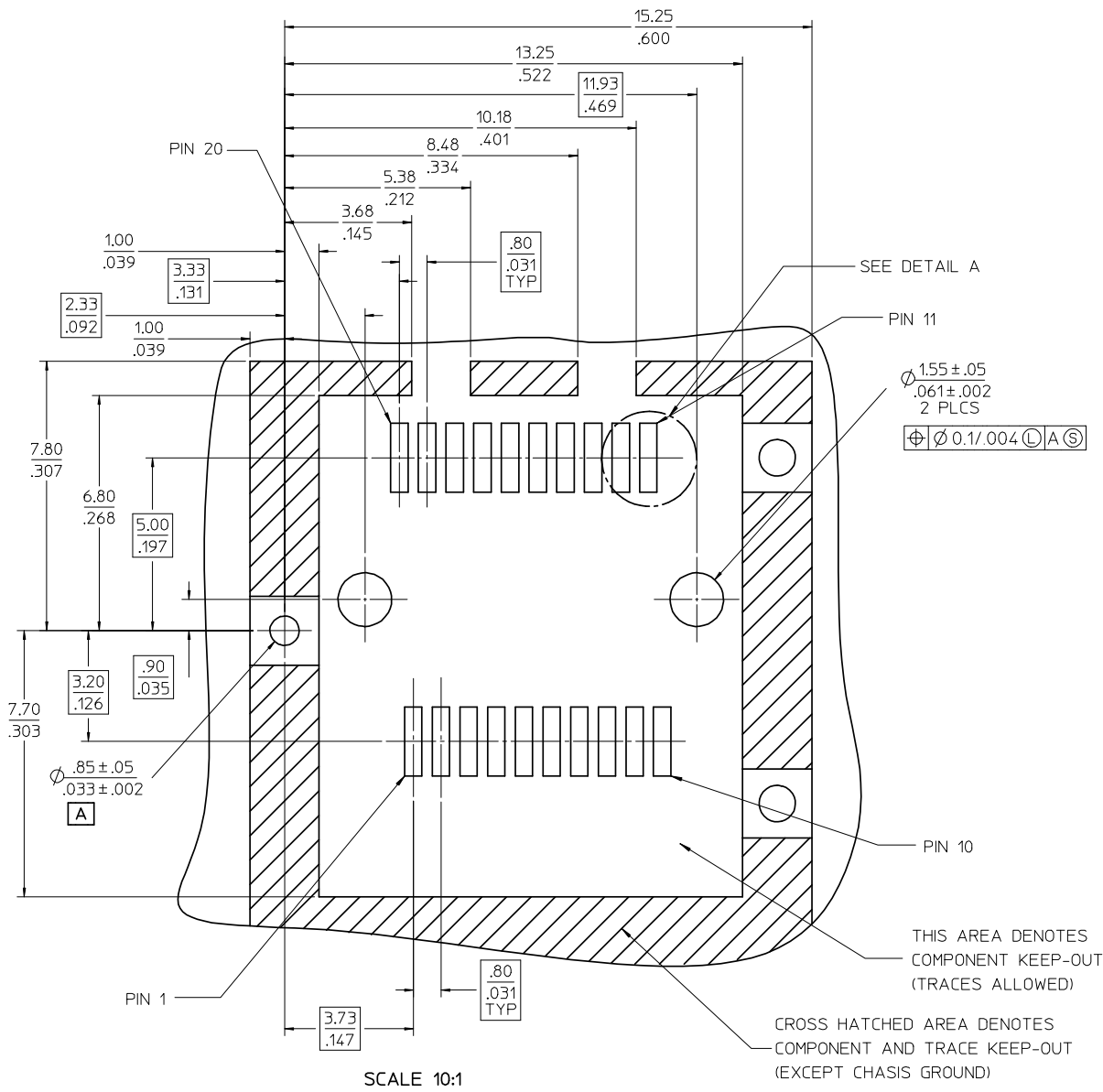


SECTION A1-A1
SCALE 12:1



SECTION B1-B1
SCALE 12:1

EC NO: UCP2008-1593 DRWN: BSMART 2008/01/21 CHK: SMILLER 2008/05/06 APPR: DC_LISLE 2008/07/08	QUALITY SYMBOLS	GENERAL TOLERANCES (UNLESS SPECIFIED)		SCALE 6:1	DESIGN UNITS METRIC	THIRD ANGLE PROJECTION	REVISE ON CAD ONLY			
	▽ 0 ∇ 0	mm INCH		DIMENSION STYLE MM/IN		SALES ASSEMBLY Z AXIS PLUGGABLE PCB CONNECTOR				
		4 PLACES ± --- ± ---	3 PLACES ± --- ± ---	2 PLACES ± 0.13 ± .005	1 PLACE ± 0.25 ± .010	DRAWN BY DATE	MOLEX INCORPORATED			
		ANGULAR ± 1/2 °		DRAFT WHERE APPLICABLE MUST REMAIN WITHIN DIMENSIONS		CHECKED BY DATE	APPROVED BY DATE		MATERIAL NO. SEE CHART	DOCUMENT NO. SD-74441-001
					THIS DRAWING CONTAINS INFORMATION THAT IS PROPRIETARY TO MOLEX INCORPORATED AND SHOULD NOT BE USED WITHOUT WRITTEN PERMISSION					

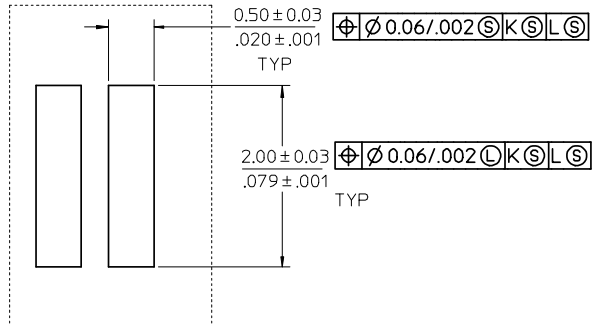
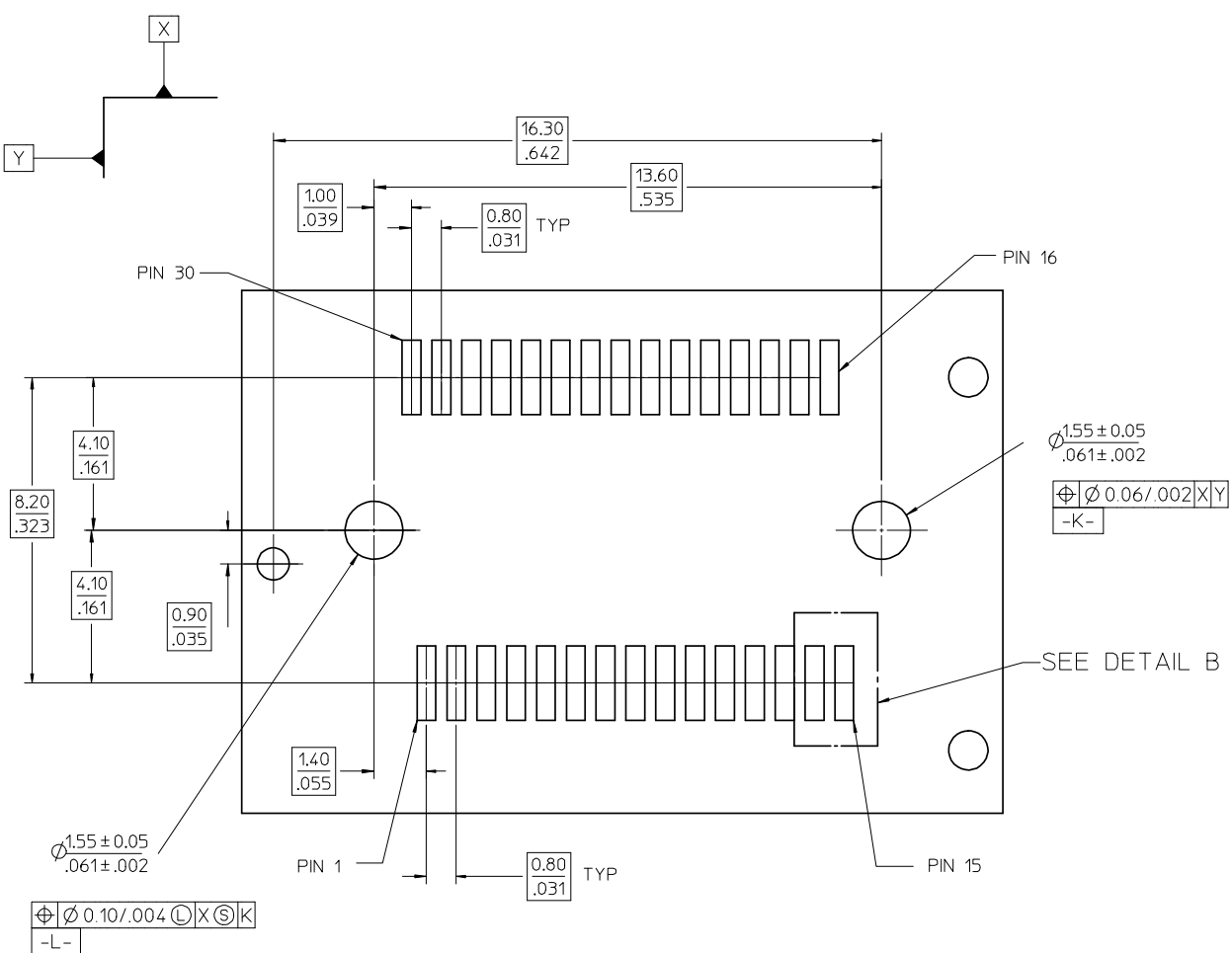


20 CIRCUIT MOTHER BOARD
RECOMMENDED PCB LAYOUT

SCALE 10:1

DETAIL A
SCALE 24:1

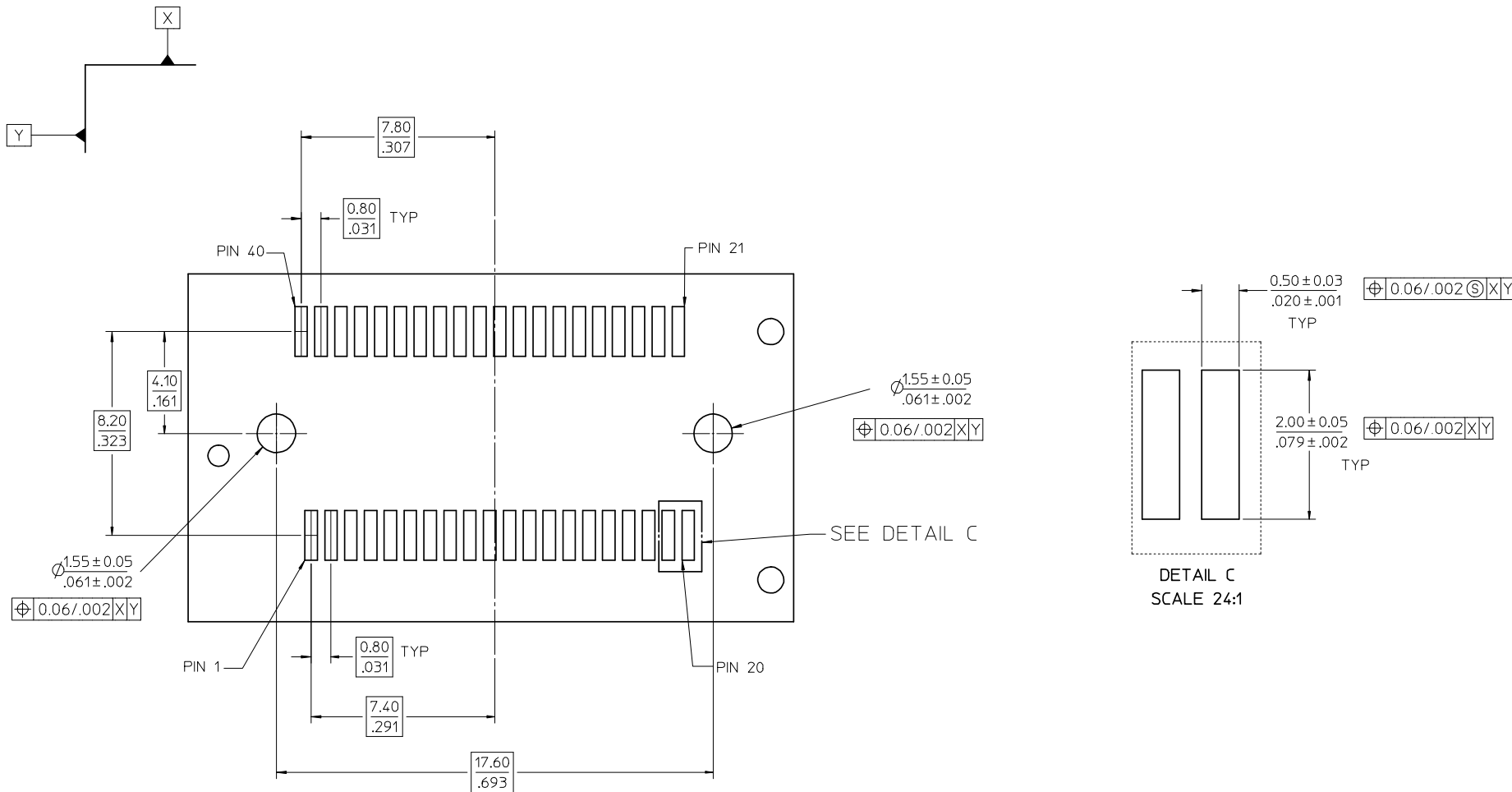
EC NO: UCP2008-1593 DRW: BSMART 2008/01/21 CHK: SWILLER 2008/05/06 APPR: DC_LISLE 2008/07/08	QUALITY SYMBOLS	GENERAL TOLERANCES (UNLESS SPECIFIED)	SCALE 8:1	DESIGN UNITS METRIC	THIRD ANGLE PROJECTION	REVISE ON CAD ONLY	
	▼ -0	mm INCH	DIMENSION STYLE MM/IN		SALES ASSEMBLY Z AXIS PLUGGABLE PCB CONNECTOR		
	▽ -0	4 PLACES ± --- ± ---	3 PLACES ± --- ± ---	2 PLACES ± 0.13 ± 0.05			MOLEX INCORPORATED
		1 PLACE ± 0.25 ± .010	ANGULAR ± 1/2 °	DRAWN BY DATE HAVERY 00/04/06 CHECKED BY DATE KSWEENEY 00/04/06 APPROVED BY DATE MBANAKIS 00/04/06			MATERIAL NO. SEE SHT 1 DOCUMENT NO. SD-74441-001
	DRAFT WHERE APPLICABLE MUST REMAIN WITHIN DIMENSIONS	THIS DRAWING CONTAINS INFORMATION THAT IS PROPRIETARY TO MOLEX INCORPORATED AND SHOULD NOT BE USED WITHOUT WRITTEN PERMISSION		SHEET NO. 3 OF 7			



DETAIL B
SCALE 24:1

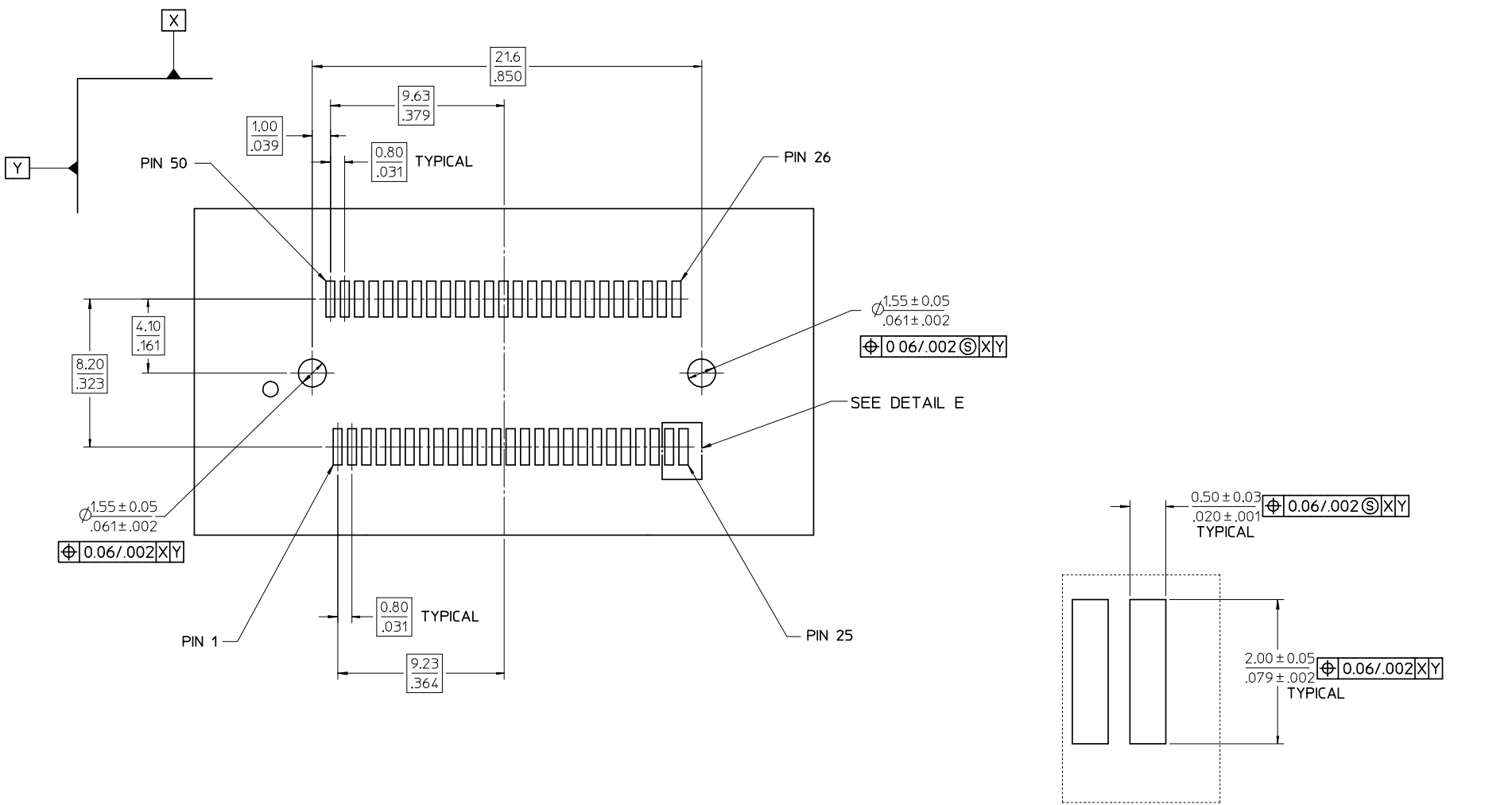
30 CIRCUIT MOTHER BOARD
RECOMMENDED PCB LAYOUT

EC NO: UCP2008-1593 DRWN:BSMART 2008/01/21 CHKD:BBARKER 2008/05/06 APPR:SMILLER 2008/07/08	QUALITY SYMBOLS ▽ = 0 ∇ = 0	GENERAL TOLERANCES (UNLESS SPECIFIED)		SCALE 6:1	DESIGN UNITS METRIC	THIRD ANGLE PROJECTION	REVISE ON CAD ONLY	
		mm	INCH	DIMENSION STYLE MM/IN		TITLE SALES ASSEMBLY Z AXIS PLUGGABLE PCB CONNECTOR		
		4 PLACES ± --- ± ---	3 PLACES ± --- ± ---	DRAWN BY HAVERY	DATE 00/04/06	MOLEX INCORPORATED		
		2 PLACES ± 0.13 ± .005	1 PLACE ± 0.25 ± .010	CHECKED BY KSWEENEY	DATE 00/04/06	MATERIAL NO. SEE CHART	DOCUMENT NO. SD-74441-001	SHEET NO. 4 OF 7
DRAFT WHERE APPLICABLE MUST REMAIN WITHIN DIMENSIONS		ANGULAR ± 1/2°		APPROVED BY MBANAKIS	DATE 00/04/06	THIS DRAWING CONTAINS INFORMATION THAT IS PROPRIETARY TO MOLEX INCORPORATED AND SHOULD NOT BE USED WITHOUT WRITTEN PERMISSION		



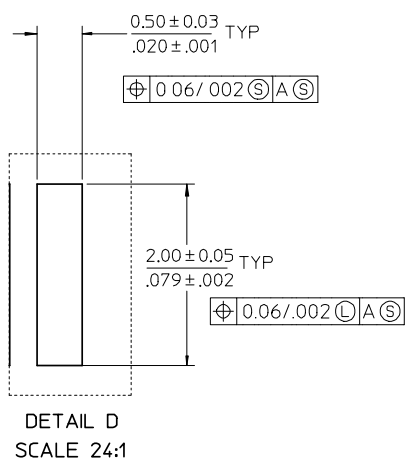
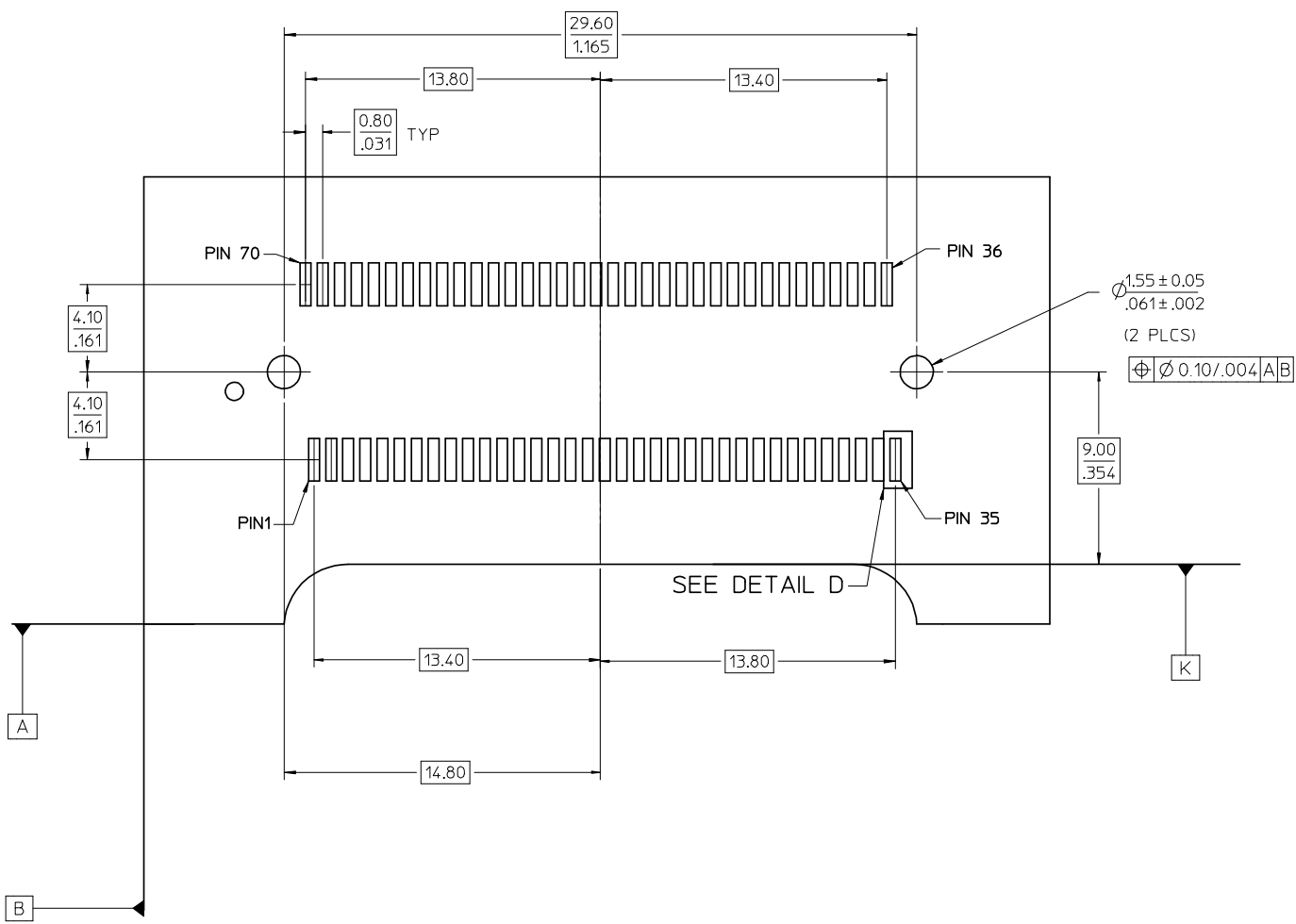
40 CIRCUIT MOTHER BOARD
RECOMMENDED PCB LAYOUT

EC NO: UCP2008-1593 DRWN:BSMART 2008/01/21 CHKD:BBARKER 2008/05/06 APPR:SMILLER 2008/07/08	QUALITY SYMBOLS	GENERAL TOLERANCES (UNLESS SPECIFIED)		SCALE 6:1	DESIGN UNITS METRIC	THIRD ANGLE PROJECTION	REVISE ON CAD ONLY
	▼ = 0 ∇ = 0		mm	INCH	DIMENSION STYLE MM/IN		TITLE
		4 PLACES	± ---	± ---			SALES ASSEMBLY Z AXIS PLUGGABLE PCB CONNECTOR
		3 PLACES	± ---	± ---			
2 PLACES	± 0.13	± .005			MOLEX INCORPORATED APPROVED BY DATE MATERIAL NO. DOCUMENT NO. SHEET NO. MBANAKIS 00/04/06 SEE CHART SD-74441-001 5 OF 7		
		1 PLACE	± 0.25	± .010	THIS DRAWING CONTAINS INFORMATION THAT IS PROPRIETARY TO MOLEX INCORPORATED AND SHOULD NOT BE USED WITHOUT WRITTEN PERMISSION		
		ANGULAR ±1/2°		DRAFT WHERE APPLICABLE MUST REMAIN WITHIN DIMENSIONS			



50 CIRCUIT MOTHER BOARD
RECOMMENDED PCB LAYOUT

EC NO: UCP2008-1593 DRWN:BSMART 2008/01/21 CHKD:BBARKER 2008/05/06 APPR:SMILLER 2008/07/08	QUALITY SYMBOLS	GENERAL TOLERANCES (UNLESS SPECIFIED)		SCALE 6:1	DESIGN UNITS METRIC	THIRD ANGLE PROJECTION	REVISE ON CAD ONLY
	▼ = 0 ∇ = 0		mm	INCH	DIMENSION STYLE MM/IN		TITLE
		4 PLACES	± ---	± ---			SALES ASSEMBLY Z AXIS PLUGGABLE PCB CONNECTOR
		3 PLACES	± ---	± ---			
2 PLACES	± 0.13	± .005			MOLEX INCORPORATED MATERIAL NO. SEE CHART DOCUMENT NO. SD-74441-001		
1 PLACE	± 0.25	± .010				SHEET NO. 6 OF 7	
ANGULAR ± 1/2°				APPROVED BY MBANAKIS DATE 00/04/06			THIS DRAWING CONTAINS INFORMATION THAT IS PROPRIETARY TO MOLEX INCORPORATED AND SHOULD NOT BE USED WITHOUT WRITTEN PERMISSION
DRAFT WHERE APPLICABLE				APPROVED BY DATE			
MUST REMAIN WITHIN DIMENSIONS				DATE 00/04/06			



70 CIRCUIT MOTHER BOARD
RECOMMENDED PCB LAYOUT

EC NO: UCP2008-1593 DRWN:BSMART 2008/01/21 CHKD:BBARKER 2008/05/06 APPR:SMILLER 2008/07/08	QUALITY SYMBOLS ▽ = 0 ∇ = 0	GENERAL TOLERANCES (UNLESS SPECIFIED)		SCALE 6:1	DESIGN UNITS METRIC	THIRD ANGLE PROJECTION	REVISE ON CAD ONLY		
		4 PLACES ± --- ± ---	3 PLACES ± --- ± ---	DIMENSION STYLE MM/IN		TITLE SALES ASSEMBLY Z AXIS PLUGGABLE PCB CONNECTOR			
		2 PLACES ± 0.13 ± .005	1 PLACE ± 0.25 ± .010	ANGULAR ± 1/2°		DRAWN BY HAVERY DATE 00/04/06	MOLEX INCORPORATED		
		DRAFT WHERE APPLICABLE MUST REMAIN WITHIN DIMENSIONS		APPROVED BY MBANAKIS DATE 00/04/06	MATERIAL NO. SEE CHART		DOCUMENT NO. SD-74441-001	SHEET NO. 7 OF 7	